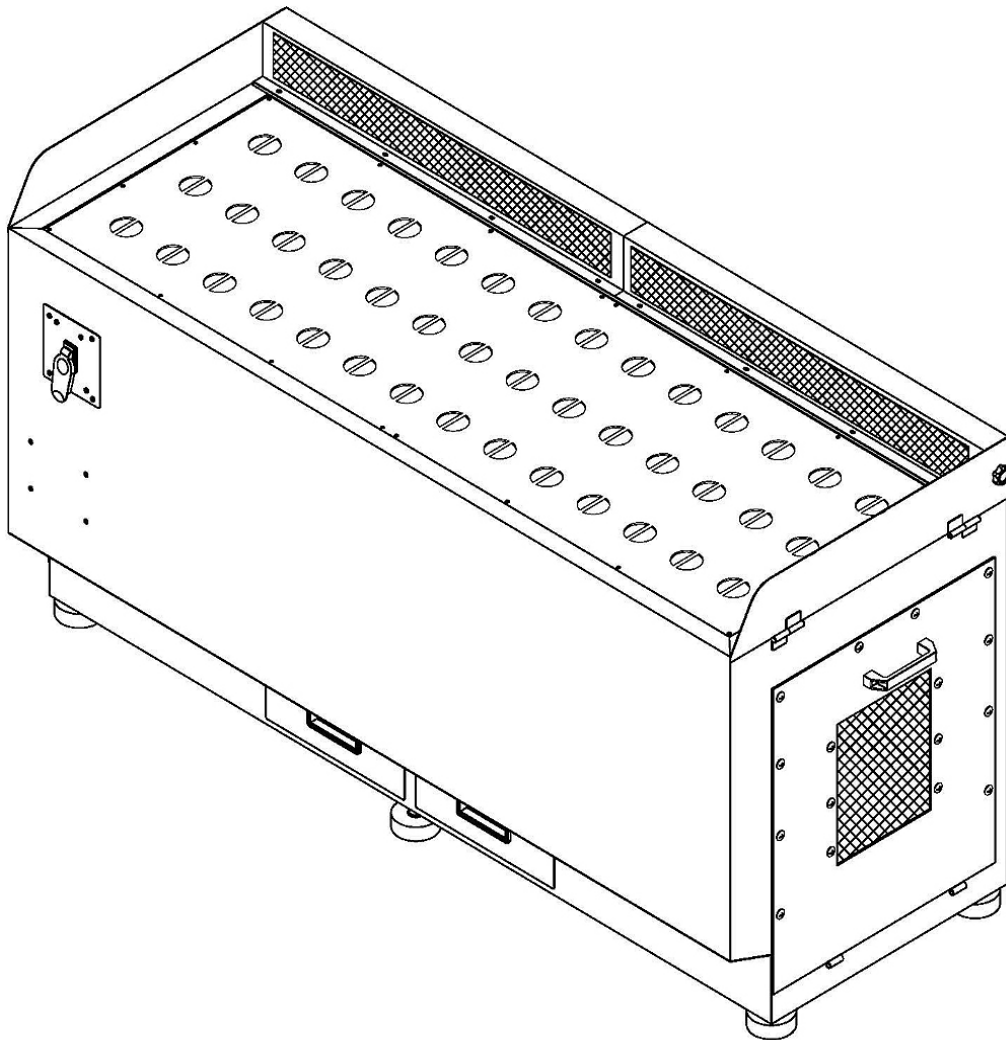




# Operating Instructions and Parts Manual

## Down Draft Table - Metal

Model DDTM-5922



**Baileigh Industrial**  
P.O. Box 531  
Manitowoc, WI 54221-0531  
Ph.: 920-684-4990  
Fax: 920-684-3944  
Baileigh-Sales@jpwindustries.com

BA9-1008627  
Edition 2 08/2025  
Copyright © 2020 Baileigh Industrial

# 1.0 Table of Contents

Section	Page
1.0 Table of Contents .....	2
2.0 Safety Instructions .....	3
3.0 About This Manual .....	4
4.0 Specifications .....	5
5.0 Setup and Assembly .....	6
5.1 Unpacking and Checking Contents .....	6
5.2 Cleaning .....	6
5.3 Transporting and Lifting .....	7
5.4 Installation .....	7
5.5 Assembly .....	7
6.0 Electrical Connection .....	8
6.1 Power Specifications .....	8
6.2 Considerations .....	8
6.3 Extension Cord Safety .....	9
6.4 Power Cord Connection .....	9
7.0 Operation .....	9
8.0 Maintenance .....	9
8.1 Daily Maintenance .....	10
8.2 Monthly Maintenance .....	10
9.0 Replacement Parts .....	11
9.1.1 Down Draft Table Metal Assembly – Exploded View .....	11
9.1.2 Down Draft Table Metal Assembly – Parts List .....	12
10.0 Wiring Diagram .....	13
11.0 Warranty and Service .....	14



## 2.0 Safety Instructions

### **⚠ WARNING**

**Failure to follow these rules may result in serious personal injury**

1. FOR YOUR OWN SAFETY, READ INSTRUCTION MANUAL BEFORE OPERATING THE MACHINE. Learn the machine's application and limitations as well as the specific hazards.
2. DO NOT use this table to filter liquids (especially flammable), asbestos, collect any burning or smoking materials, or to dissipate fumes or smoke.
3. This machine WILL NOT protect against asbestos fibers or lead paint dust.
4. Only trained and qualified personnel can operate this machine.
5. Make sure guards are in place and in proper working order before operating machinery.
6. Remove any adjusting tools. Before operating the machine, make sure any adjusting tools have been removed.
7. Keep work area clean. Cluttered areas invite injuries.
8. Overloading machine. By overloading the machine, you may cause injury from flying parts. DO NOT exceed the specified machine capacities.
9. Do not force tool. Your machine will do a better and safer job if used as intended. DO NOT use inappropriate attachments in an attempt to exceed the machines rated capacity.
10. Dress appropriate. DO NOT wear loose fitting clothing or jewelry as they can be caught in moving machine parts. Protective clothing and steel toe shoes are recommended when using machinery. Wear a restrictive hair covering to contain long hair.
11. Use eye and ear protection. Always wear ISO approved impact safety goggles. Wear a full-face shield if you are producing metal filings.
12. Do not overreach. Maintain proper footing and balance at all times. DO NOT reach over or across a running machine.
13. Stay alert. Watch what you are doing and use common sense. DO NOT operate any tool or machine when you are tired.
14. Check for damaged parts. Before using any tool or machine, carefully check any part that appears damaged. Check for alignment and binding of moving parts that may affect proper machine operation.
15. DO NOT operate this machine in areas where explosion risks are high. Suspended dust particles together with an ignition source could cause an explosion.
16. BEWARE of the toxicity of different oils, paints and rust inhibitors. The dust from various chemicals and coating can cause sickness, cancer, and lead to respiratory problems.
17. Observe work area conditions. DO NOT use machines or power tools in damp or wet locations. Do not expose to rain. Keep work area well lighted. DO NOT use electrically powered tools in the presence of flammable gases or liquids.
18. DO NOT bypass or defeat any safety interlock systems.
19. Know the location of the ON - OFF switch and the "E"- STOP button.
20. Keep visitors a safe distance from the work area.
21. Keep children away. Children must never be allowed in the work area. DO NOT let them handle machines, tools, or extension cords.
22. DO NOT operate machine if under the influence of alcohol or drugs. Read warning labels on prescriptions. If there is any doubt, DO NOT operate the machine.
23. DO NOT touch live electrical components or parts.
24. Be Sure all equipment is properly installed and grounded according to national, state, and local codes. If machine is equipped with a three-prong plug, it should be plugged into a three-hole electrical receptacle. If an adapter is used to accommodate a two-prong receptacle, the adapter plug must be attached to a known ground.
25. Inspect power and control cables periodically. Replace if damaged or bare wires are exposed. Bare wiring can kill!
26. Maintain machine in top condition. Keep clean for best and safest performance. Follow instructions for lubricating and changing accessories.
27. Reduce the risk of unintentional starting. Make sure switch is in "OFF" position before plugging in power cord.
28. Never leave machine running unattended. TURN POWER OFF. Don't leave machine until it comes to a complete stop.
29. Make sure machine is disconnected from power supply while motor is being mounted, connected or reconnected.

**Familiarize yourself with the following safety notices used in this manual:**

**⚠ CAUTION**

This means that if precautions are not heeded, it may result in minor injury and/or machine damage.

**⚠ WARNING**

This means that if precautions are not heeded, it may result in serious injury or death.

**⚠ DANGER**

This means that if precautions are not heeded, it will result in serious or fatal, injury.

## **Save the Instructions**

### **3.0 About This Manual**

This manual is provided by Baileigh Industrial, covering the safe operation and maintenance procedures for a Baileigh Model DDTM-5922 Down Draft Table - Metal. This manual contains instructions on installation, safety precautions, general operating procedures, maintenance instructions and parts breakdown. Your machine has been designed and constructed to provide consistent, long-term operation if used in accordance with the instructions as set forth in this document.

Technical Support handles questions on setup, operation, schematics, warranty issues, and individual parts needed. Our Technical Support department can be reached at 920-684-4990.

If there are questions or comments, please contact your local supplier or Baileigh Industrial. We can also be reached at our web site: [www.baileigh.com](http://www.baileigh.com).

Retain this manual for future reference. If the machine transfers ownership, the manual should accompany it.

**⚠ WARNING**

**Read and understand the entire contents of this manual before attempting assembly or operation! Failure to comply may cause serious injury!**

Register your product online -

<https://baileigh.com/product-registration>



## 4.0 Specifications

Table 4-1

Model Number	DDTM-5922
Stock Number	BA9-1008627
<b>Motor and Power</b>	
Motor	2@ 0.5 HP (0.37kW) 110V 60Hz, 6A (each)
Power	110VAC, 60Hz
Motor Speed	1150 RPM
<b>General Specifications</b>	
Table Size	61" x 21.6" (1550 x 550mm)
Table Load Capacity	440 lbs (200kgs) Maximum
Suction Capacity	1790 CFM x 2
Impeller Size	9.5" x 7" (241 x 178mm)
Filters	4@16"x20"x1" (406x508x25mm), 250 Micron Fire Resistant
Switch	ON / OFF Switch
Noise Rating (reference only)	78dBs
<b>Weights and Dimensions</b>	
Overall Dimensions of Unit	65.75" x 24.75" x 34.675" (1670 x 630 x 880mm)
N.W.	300 lbs (136kgs)
G.W.	348 lbs (158kgs)
Shipping Dimensions	66" x 28" x 37" (1677 x 711 x 940mm)

## ⚠ WARNING

Read and understand the entire contents of this manual before attempting assembly or operation. Failure to comply may cause serious injury.

## 5.0 Setup and Assembly

### 5.1 Unpacking and Checking Contents

Your Baileigh machine is shipped complete. Separate all parts from the packing material and check each item carefully. Make certain all items are accounted for before discarding any packing material.

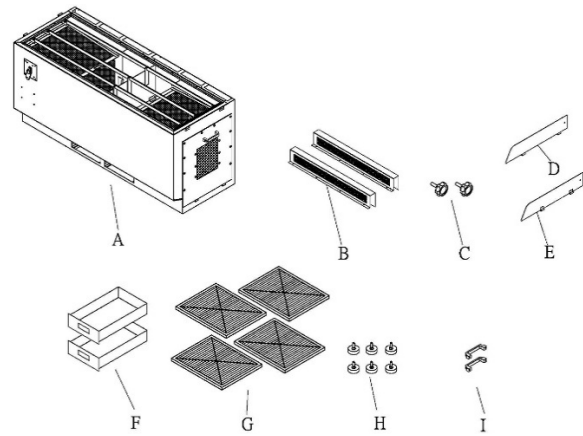


Figure 5-1

Table 5-1

NO.	Description	Q'TY	Part List No.
A	Main Housing	1	NO. 16C
B	Suction Head Set	2	NO. 21
C	Triangular Knob	2	NO. 18B
D	Left Side Cover	1	NO. 23
E	Right Side Cover	1	NO. 17
F	Debris Drawer	2	NO. 38
G	Filter	4	NO. 22
H	Foot Pad Assembly	6	NO. 40-44
I	Handle	2	NO. 5

## ⚠ WARNING

**SUFFOCATION HAZARD!** Immediately discard any plastic bags and packing materials to eliminate choking and suffocation hazards to children and animals.

## ⚠ WARNING

If any parts are missing, DO NOT place the machine into service until the missing parts are obtained and installed correctly.

### 5.2 Cleaning

## ⚠ WARNING

DO NOT USE gasoline or other petroleum products to clean the machine. They have low flash points and can explode or cause fire.

## ⚠ CAUTION

When using cleaning solvents work in a well-ventilated area. Many cleaning solvents are toxic if inhaled.

Your machine may be shipped with a rustproof waxy coating and/or grease on the exposed unpainted metal surfaces. Fully and completely remove this protective coating using a degreaser or solvent cleaner. Moving items will need to be moved along their travel path to allow for cleaning the entire surface. For a more thorough cleaning, some parts will occasionally have to be removed. DO NOT USE acetone or brake cleaner as they may damage painted surfaces.

Follow manufacturer's label instructions when using any type of cleaning product. After cleaning, wipe unpainted metal surfaces with a light coating of quality oil or grease for protection.

**IMPORTANT:** This waxy coating is NOT a lubricant and will cause the machine to stick and lose performance as the coating continues to dry.

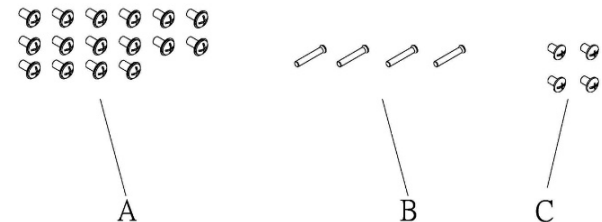


Figure 5-2

Table 5-2

NO.	Description	Specification	Q'TY	Part List No.
A	Phillips Head Screw	3/16"x3/8"	16	NO. 20
B	Pin		4	NO. 1
C	Flat Head Screw	1/4"x5/8"	4	NO. 6

## 5.3 Transporting and Lifting

### NOTICE

Lifting and carrying operations should be carried out by skilled workers, such as a truck operator, crane operator, etc. If a crane is used to lift the machine, attach the lifting chain carefully, making sure the machine is well balanced.

Follow these guidelines when lifting with truck or trolley:

- The lift truck must be able to lift at least 1.5 – 2 times the machines gross weight.
- Make sure the machine is balanced. While transporting, avoid rough or jerky motion, and maintain a safe clearance zone around the transport area.
- Use a fork lift with sufficient lifting capacity and forks that are long enough to reach the complete width of the machine.
- Remove the securing bolts that attach the machine to the pallet.
- Approaching the machine from the side, lift the machine on the frame taking care that there are no cables or pipes in the area of the forks.
- Move the machine to the required position and lower gently to the floor.
- Level the machine so that all the supporting feet are taking the weight of the machine and no rocking is taking place.

## 5.4 Installation

### IMPORTANT:

Consider the following when looking for a suitable location to place the machine:

- Overall weight of the machine.
- Weight of material being processed.
- Sizes of material to be processed through the machine.
- Space needed for auxiliary stands, work tables, or other machinery.
- Clearance from walls and other obstacles.
- Maintain an adequate working area around the machine for safety.
- Have the work area well illuminated with proper lighting.
- Keep the floor free of oil and make sure it is not slippery.
- Remove scrap and waste materials regularly, and make sure the work area is free from obstructing objects.
- If long lengths of material are to be fed into the machine, make sure that they will not extend into any aisles.

- **LEVELING:** The machine should be sited on a level, concrete floor. Provisions for securing it should be in position prior to placing the machine. The accuracy of any machine depends on the precise placement of it to the mounting surface.
- **FLOOR:** This tool distributes a large amount of weight over a small area. Make certain that the floor is capable of supporting the weight of the machine, work stock, and the operator. The floor should also be a level surface. If the unit wobbles or rocks once in place, be sure to eliminate by using shims.
- **WORKING CLEARANCES:** Take into consideration the size of the material to be processed. Make sure that you allow enough space for you to operate the machine freely.
- **POWER SUPPLY PLACEMENT:** The power supply should be located close enough to the machine so that the power cord is not in an area where it would cause a tripping hazard. Be sure to observe all electrical codes if installing new circuits and/or outlets.

## 5.5 Assembly

### ⚠ WARNING

For your own safety, **DO NOT** connect the machine to the power source until the machine is completely assembled and you read and understand the entire instruction manual.

1. Place the Suction Head Set (No. 21) on the Main Housing (No. 16C) and secure in place with Phillips Head Screw (No. 20). See (fig. 5-3)

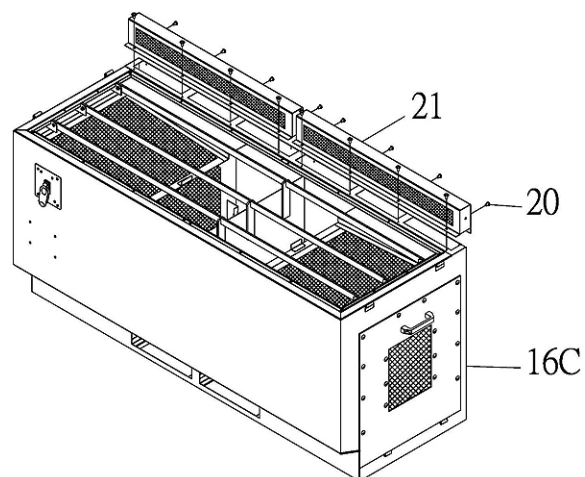


Figure 5-3

2. Carefully place the machine on its back.
3. Install the 6 foot pad assemblies (No. 40 ~ No. 44) into the main housing bottom as shown in (fig. 5-4).

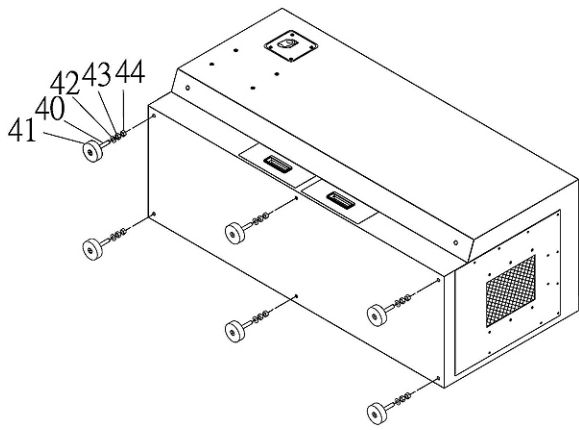


Figure 5-4

4. Carefully turn the machine to the upright position.
5. Adjust the foot pads (No. 40 ~ No. 44) to level the machine, making sure all 6 foot pads have equal contact to the floor. Lock the foot pads in position.
6. Assemble Left Side Cover (No. 23) and Right Side Cover (No. 17) on the main housing with Pin (No. 1).
7. Use the Triangular Knob (No. 18B) to tight the Left Side Cover (No. 23) and Right Side Cover (No. 17) on the suction headsets. See (fig. 5-5)

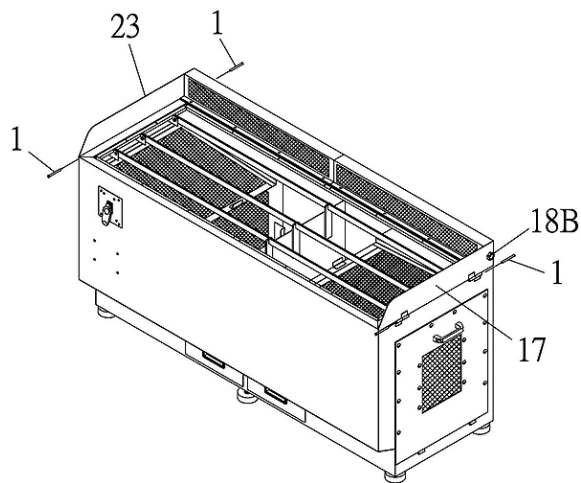


Figure 5-5

8. Place the machine in the location desired for operation. And recheck the table for level.
9. Verify that the debris drawers and filters are installed correctly.

## 6.0 Electrical Connection

### **⚠ CAUTION**

**HAVE ELECTRICAL UTILITIES CONNECTED TO MACHINE BY A CERTIFIED ELECTRICIAN!**

Check if the available power supply is the same as listed on the machine nameplate.

### **⚠ WARNING**

Make sure the grounding wire (green) is properly connected to avoid electric shock. **DO NOT** switch the position of the green grounding wire if any electrical plug wires are switched during hookup.

#### 6.1 Power Specifications

Your tool is wired for 110 volt, 60Hz alternating current. Before connecting the tool to the power source, make sure the machine is cut off from power source.

Before switching on the power, you must check the voltage and frequency of the power to see if they meet with the requirement, the allowed range for the voltage is  $\pm 5\%$ , and for the frequency is  $\pm 1\%$ .

#### 6.2 Considerations

- Observe local electrical codes when connecting the machine.
- The circuit should be protected with a time delay fuse or circuit breaker with a amperage rating slightly higher than the full load current of machine.
- A separate electrical circuit should be used for your tools. Before connecting the motor to the power line, make sure the switch is in the "OFF" position and be sure that the electric current is of the same characteristics as indicated on the tool.
- All line connections should make good contact. Running on low voltage will damage the motor.
- In the event of a malfunction or breakdown, grounding provides a path of least resistance for electric current to reduce the risk of electric shock. This tool is equipped with an electric cord having an equipment-grounding conductor and a grounding plug. The plug must be plugged into a matching outlet that is properly installed and grounded in accordance with all local codes and ordinances.

### **⚠ WARNING**

**In all cases, make certain the receptacle in question is properly grounded. If you are not sure, have a qualified electrician check the receptacle.**

- Improper connection of the equipment-grounding conductor can result in risk of electric shock. The conductor with insulation having an outer surface that is green with or without yellow stripes is the equipment-grounding conductor. If repair or replacement of the electric cord or plug is necessary, do not

connect the equipment-grounding conductor to a live terminal.

- Check with a qualified electrician or service personnel if the grounding instructions are not completely understood, or if in doubt as to whether the tool is properly grounded.
- Repair or replace damaged or worn cord immediately.

### 6.3 Extension Cord Safety

Extension cord should be in good condition and meet the minimum wire gauge requirements listed below:

Table 6-1

Amp Rating	Length		
	25ft	50ft	100ft
1-12	16	16	14
13-16	14	12	12
17-20	12	12	10
21-30	10	10	No
Wire Gauge			

An undersized cord decreases line voltage, causing loss of power and overheating. All cords should use a ground wire and plug pin. Replace any damaged cords immediately.

### 6.4 Power Cord Connection

1. Verify that the power switches are turn OFF.
2. Unwrap the power cord and route the cord away from the machine toward the power supply.
  - a. Route the power cord so that it will NOT become entangled in the machine in any way.
  - b. Route the cord to the power supply in a way that does NOT create a trip hazard.
3. Connect the power cord to the power supply and check that the power cord has not been damaged during installation.
4. When the machine is clear of any obstruction. The power switch may be turn ON to test the operation. Turn the switch OFF when the machine is not in operation.

## 7.0 Operation

### **⚠ CAUTION**

Always wear proper eye protection with side shields, safety footwear, leather gloves to protect from burrs and sharp edges, and a respirator.

### **⚠ CAUTION**

**When handling large heavy materials make sure they are properly supported.**

1. Position the table where it is to be located and following codes and regulations connect the power supply.
2. Wear proper safety equipment such as safety glasses, respirator, hearing protection, and any other gear that the specific operation may require. Be aware of and protect clothing and hair from entanglement.
3. Position the work material securely on the table. Be aware of and make provisions for keeping tools and their cords safe from damage or creating an entanglement situation.
4. Place the lock out key in the switch and turn the switch to ON.
5. Listen for proper and smooth operation. Turn the table off immediately if the sound is not smooth and even. Sounds such as squealing, hissing, rattling, rumbling, or vibrating in nature indicate a potential problem and should be checked and corrected before continuing. Sounds that imply restricted air flow may mean the table, debris tray, and filters need to be cleaned. Other noises may mean loose or faulty components that need to be tightened, repaired or replaced. In either situation, the corrective action must be taken before continuing operation.
6. When the operation is complete, turn OFF the switch.
7. Remove the lock out key and place in a secure location.
8. Clean up any dust or similar work debris and empty the debris tray and clean the filters as needed.

## 8.0 Maintenance

### **⚠ WARNING**

**Make sure the electrical disconnect is OFF before working on the machine.**

### **⚠ WARNING**

**Maintenance should be performed on a regular basis by qualified personnel.**

### **⚠ WARNING**

**Always follow proper safety precautions when working on or around any machinery.**

## 8.1 Daily Maintenance

- Do a general cleaning by removing dust and chips from the machine.
- Empty debris collection drawer.
- Inspect and clean filters located on the machine base. Replace as needed. This will vary based upon amount of use and type of work material.
- Check and tighten any loose mounting bolts.
- Inspect the power plug and cord.
- Keep area around machine clear of debris.
- Check for any unsafe conditions and fix immediately.
- Check that all nuts and bolts are properly tightened.



*Figure 8-1*

**Note:** When cleaning chips and debris from the machine, use a brush and a shop vacuum. DO NOT blow off the machine with compressed air. The force of the compressed air may force chips into critical mechanisms or may inflict injury to yourself or others.

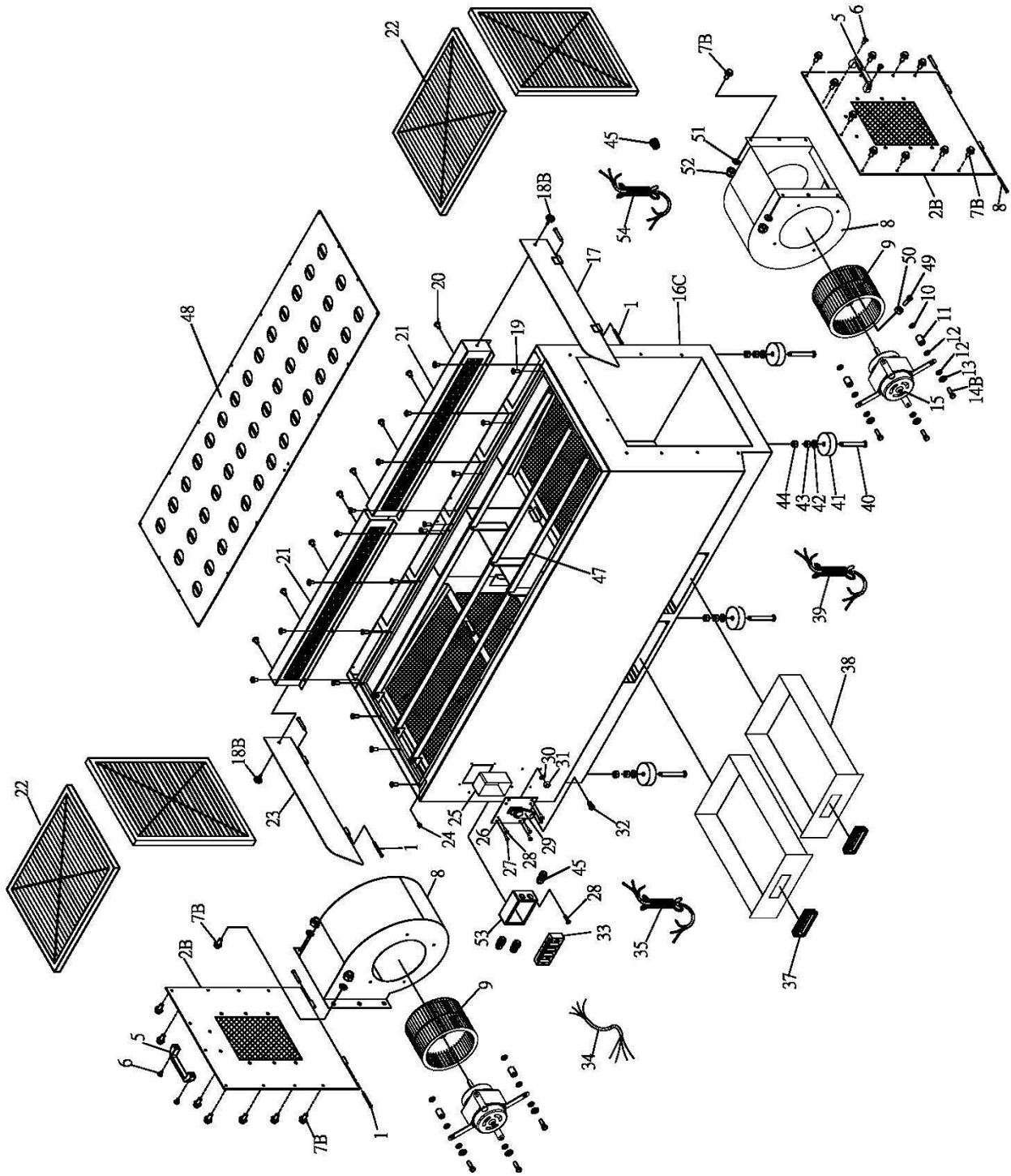
## 8.2 Monthly Maintenance

- Inspect and clean the squirrel cage and motor. Accumulated debris on the fan blades will reduce performance. Dust and debris accumulation on the motor will cause the motor to overheat and fail.

**Note:** The motor and squirrel cage cleaning may be altered based upon actual usage. Whether increasing or decreasing the service frequency, the motor and squirrel cage must be kept clean to provide the best performance and service life.

# 9.0 Replacement Parts

## 9.1.1 Down Draft Table Metal Assembly – Exploded View

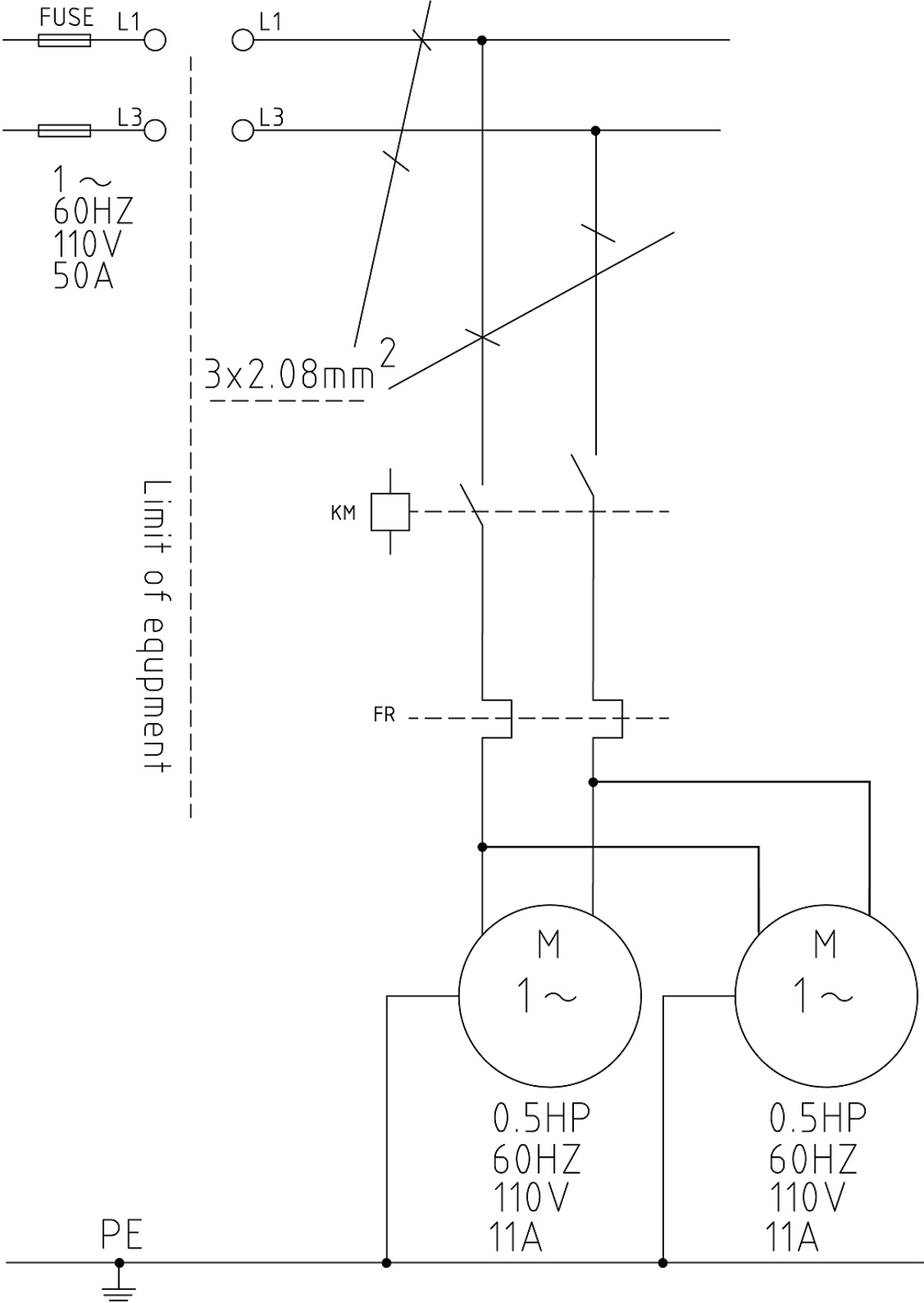


## 9.1.2 Down Draft Table Metal Assembly – Parts List

Index No	Part No	Description	Size	Qty
1	**	Pin		8
2B	BA9-1016280	Outlet Cover		2
5	**	Handle		2
6	JT9-TS-0813051	Flat Head Screw	1/4" x 5/8"	4
7B	**	Flange Bolts	5/16"-18 x 3/4"	32
8	BA9-1010207	Blower Housing		2
9	BA9-1010208	Impeller	9- 1/2" x 180	2
10	**	Washer		8
11	**	Ring		8
12	JT9-TS-0680021	Washer	1/4"	16
13	CM9-TS-2361061	Spring Washer	M6	8
14B	**	Flange Bolts	1/4" x 1-1/4"	8
15	BA9-1010209	Motor	0.5 HP (0.37kw) 110V 60Hz	2
	BA9-1227305	Running Capacitor		
16C	BA9-1016281	Main Housing		1
17	BA9-1010210	Right Side Cover		1
18B	**	Triangular Knob	1/4" x 3/4"	2
19	**	Phillips Head Screw	3/16" x 3/8"	20
20	**	Phillips Head Screw	3/16" x 3/8"	16
21	BA9-1010211	Suction Head Set		2
22	BA9-1010212	Filter		4
23	BA9-1010213	Left Side Cover		1
24	**	Flat Head Screw	5/16" x 1/2"	6
25	**	Switch Box		1
26	**	Switch Plate		1
27	**	Phillips Head Screw	3/16" x 1/2"	4
28	**	Tapping Screw	M4 x 16	8
29	BA1-9184	Switch		1
30	**	Tooth Washer	M4	1
31	**	Nut	3/16"	1
32	**	Phillips Head Screw	3/16" x 3/8"	1
33	**	Wire Connecting Plate		1
34	**	Wire	1.25 x 3C x 30CM	1
35	**	Power Cord	14A x 3C x X2M	1
37	BA9-1011227	Handle		2
38	BA9-1010214	Drawer		2
39	**	Motor Cord	1.25 x 3C x 40CM	1
40	**	Cap Screw	1/2" x 4"	6
41	BA1-9192	Foot Pad		6
42	**	Washer	1/2" x 35 x 3	6
43	**	Lock Nut	1/2"	6
44	JT9-TS-0561052	Nut	1/2"	6
45	**	Bushing	M16-10B	8
47	**	Support Bar		3
48	**	Top Suction Plate	3"	1
49	JT9-TS-1490031	Hex Head Bolt	M8 x 20	2
50	JT9-TS-1540061	Nut	M8	2
51	JT9-TS-0680031	Washer	5/16" x 23	12
52	JT9-TS-0640081	Lock Nut	5/16"-18	12
53	**	Anti-Dust Box		1
54	**	Motor Cord	1.25 x 3C x 230cm	1

\*\* These parts are shown for reference only and are not available for order individually. Non-proprietary parts, such as fasteners, can usually be found at local hardware stores.

# 10.0 Wiring Diagram



## 11.0 Warranty and Service

Thank you for your purchase of a machine from Baileigh Industrial. We hope that you find it productive and useful to you for a long time to come.

**Inspection & Acceptance.** Buyer shall inspect all Goods within ten (10) days after receipt thereof. Buyer's payment shall constitute final acceptance of the Goods and shall act as a waiver of the Buyer's rights to inspect or reject the Goods unless otherwise agreed. If Buyer rejects any merchandise, Buyer must first obtain a Returned Goods Authorization ("RGA") number before returning any Goods to Seller. Goods returned without an RGA will be refused. Seller will not be responsible for any freight costs, damages to Goods, or any other costs or liabilities pertaining to Goods returned without an RGA. Seller shall have the right to substitute a conforming tender. Buyer will be responsible for all freight costs to and from Buyer and repackaging costs, if any, if Buyer refuses to accept shipment. If Goods are returned in unsalable condition, Buyer shall be responsible for full value of the Goods. Buyer may not return any special-order Goods. Any Goods returned hereunder shall be subject to a restocking fee equal to 30% of the invoice price.

**Specifications.** Seller may, at its option, make changes in the designs, **specifications**, or components of the Goods to improve the safety of such Goods, or if in Seller's judgment, such changes will be beneficial to their operation or use. Buyer may not make any changes in the specifications for the Goods unless Seller approves of such changes in writing, in which event Seller may impose additional charges to implement such changes.

**Limited Warranty.** Seller warrants to the original end-user that the Goods manufactured or provided by Seller under this Agreement shall be free of defects in material or workmanship for a period of twelve (12) months from the date of purchase, provided that the Goods are installed, used, and maintained in accordance with any instruction manual or technical guidelines provided by the Seller or supplied with the Goods, if applicable. The original end-user must give written notice to Seller of any suspected defect in the Goods prior to the expiration of the warranty period. The original end-user must also obtain an RGA from Seller prior to returning any Goods to Seller for warranty service under this paragraph. Seller will not accept any responsibility for Goods returned without an RGA. The original end-user shall be responsible for all costs and expenses associated with returning the Goods to Seller for warranty service. In the event of a defect, Seller, at its sole option, shall repair or replace the defective Goods or refund to the original end-user the purchase price for such defective Goods. Goods are not eligible for replacement or return after a period of 10 days from date of receipt. The foregoing warranty is Seller's sole obligation, and the original end-user's exclusive remedy, with regard to any defective Goods. This limited warranty does not apply to: (a) die sets, tooling, and saw blades; (b) periodic or routine maintenance and setup, (c) repair or replacement of the Goods due to normal wear and tear, (d) defects or damage to the Goods resulting from misuse, abuse, neglect, or accidents, (f) defects or damage to the Goods resulting from improper or unauthorized alterations, modifications, or changes; and (f) any Goods that has not been installed and/or maintained in accordance with the instruction manual or technical guidelines provided by Seller.

**EXCLUSION OF OTHER WARRANTIES.** THE FOREGOING LIMITED WARRANTY IS IN LIEU OF ALL OTHER WARRANTIES, EXPRESS OR IMPLIED. ANY AND ALL OTHER EXPRESS, STATUTORY, OR IMPLIED WARRANTIES, INCLUDING BUT NOT LIMITED TO, ANY WARRANTY OF MERCHANTABILITY OR FITNESS FOR ANY PARTICULAR PURPOSE ARE EXPRESSLY DISCLAIMED. NO WARRANTY IS MADE WHICH EXTENDS BEYOND THAT WHICH IS EXPRESSLY CONTAINED HEREIN.

**Limitation of Liability.** IN NO EVENT SHALL SELLER BE LIABLE TO BUYER OR ANY OTHER PARTY FOR ANY INCIDENTAL, CONSEQUENTIAL OR SPECIAL DAMAGES (INCLUDING, WITHOUT LIMITATION, LOST PROFITS OR DOWN TIME) ARISING FROM OR IN MANNER CONNECTED WITH THE GOODS, ANY BREACH BY SELLER OR ITS AGENTS OF THIS AGREEMENT, OR ANY OTHER CAUSE WHATSOEVER, WHETHER BASED ON CONTRACT, TORT OR ANY OTHER THEORY OF LIABILITY. BUYER'S REMEDY WITH RESPECT TO ANY CLAIM ARISING UNDER THIS AGREEMENT IS STRICTLY LIMITED TO NO MORE THAN THE AMOUNT PAID BY THE BUYER FOR THE GOODS.

**Force Majeure.** Seller shall not be responsible for any delay in the delivery of, or failure to deliver, Goods due to causes beyond Seller's reasonable control including, without limitation, acts of God, acts of war or terrorism, enemy actions, hostilities, strikes, labor difficulties, embargoes, non-delivery or late delivery of materials, parts and equipment or transportation delays not caused by the fault of Seller, delays caused by civil authorities, governmental regulations or orders, fire, lightning, natural disasters or any other cause beyond Seller's reasonable control. In the event of any such delay, performance will be postponed by such length of time as may be reasonably necessary to compensate for the delay.

**Installation.** If Buyer purchases any Goods that require installation, Buyer shall, at its expense, make all arrangements and connections necessary to install and operate the Goods. Buyer shall install the Goods in accordance with any Seller instructions and shall indemnify Seller against any and all damages, demands, suits, causes of action, claims and expenses (including actual attorneys' fees and costs) arising directly or indirectly out of Buyer's failure to properly install the Goods.

**Work By Others; Safety Devices.** Unless agreed to in writing by Seller, Seller has no responsibility for labor or work performed by Buyer or others, of any nature, relating to design, manufacture, fabrication, use, installation, or provision of Goods. Buyer is solely responsible for furnishing and requiring its employees and customers to use all safety devices, guards and safe operating procedures required by law and/or as set forth in manuals and instruction sheets furnished by Seller. Buyer is responsible for consulting all operator manuals, ANSI or comparable safety standards, OSHA regulations and other sources of safety standards and regulations applicable to the use and operation of the Goods.

**Remedies.** Each of the rights and remedies of Seller under this Agreement is cumulative and in addition to any other or further remedies provided under this Agreement or at law or equity.

**Attorney's Fees.** In the event legal action is necessary to recover monies due from Buyer or to enforce any provision of this Agreement, Buyer shall be liable to Seller for all costs and expenses associated therewith, including Seller's actual attorney fees and costs.

**Governing Law/Venue.** This Agreement shall be construed and governed under the laws of the State of Wisconsin, without application of conflict of law principles. Each party agrees that all actions or proceedings arising out of or in connection with this Agreement shall be commenced, tried, and litigated only in the state courts sitting in Manitowoc County, Wisconsin or the U.S. Federal Court for the Eastern District of Wisconsin. Each party waives any right it may have to assert the doctrine of "forum non conveniens" or to object to venue to the extent that any proceeding is brought in accordance with this section. Each party consents to and waives any objection to the exercise of personal jurisdiction over it by courts described in this section. Each party waives to the fullest extent permitted by applicable law the right to a trial by jury.

**Summary of Return Policy:**

- 10 Day acceptance period from date of delivery. Damage claims and order discrepancies will not be accepted after this time.
- You must obtain a Baileigh Industrial issued RGA number PRIOR to returning any materials.
- Returned materials must be received at Baileigh Industrial in new condition and in original packaging.
- Altered items are not eligible for return.
- Buyer is responsible for all shipping charges.
- A 30% re-stocking fee applies to all returns.

Baileigh Industrial makes every effort to ensure that our posted specifications, images, pricing, and product availability are as correct and timely as possible. We apologize for any discrepancies that may occur. Baileigh Industrial reserves the right to make any and all changes deemed necessary in the course of business including but not limited to pricing, product specifications, quantities, and product availability.

**For Customer Service & Technical Support:**

Please contact one of our knowledgeable Sales and Service team members at:  
(920) 684-4990 or e-mail us at [Baileigh-Service@jpwindustries.com](mailto:Baileigh-Service@jpwindustries.com)



**BAILEIGH INDUSTRIAL**

**1625 DUFEEK DRIVE MANITOWOC, WI 54220**

**PHONE: 920.684.4990 FAX: 920.684.3944**

**[www.baileigh.com](http://www.baileigh.com)**