



OPERATOR'S MANUAL

Metal Working



PNEUMATIC CORNER NOTCHER MODEL: SN-F11-AN

Baileigh Industrial Holdings LLC
P.O. Box 531
Manitowoc, WI 54221-0531
Phone: 920.684.4990
Fax: 920.684.3944
sales@baileigh.com

REPRODUCTION OF THIS MANUAL IN ANY FORM WITHOUT WRITTEN APPROVAL OF BAILEIGH INDUSTRIAL HOLDINGS LLC IS PROHIBITED. Baileigh Industrial Holdings LLC, Inc. does not assume and hereby disclaims any liability for any damage or loss caused by an omission or error in this Operator's Manual, resulting from accident, negligence, or other occurrence.

Rev. 04/2021



Table of Contents

THANK YOU & WARRANTY	1
INTRODUCTION.....	3
GENERAL NOTES.....	3
SAFETY INSTRUCTIONS	4
SAFETY PRECAUTIONS	6
Dear Valued Customer:.....	6
TECHNICAL SPECIFICATIONS	8
TECHNICAL SUPPORT	8
UNPACKING AND CHECKING CONTENTS.....	9
TRANSPORTING AND LIFTING	10
INSTALLATION.....	11
OVERALL DIMENSIONS.....	13
GETTING TO KNOW YOUR MACHINE	14
MACHINE ADJUSTMENTS	15
Adjustment of Blade Gap Tolerance.....	15
Adjustment of Mobile Reference Square.....	16
OPERATION.....	17
MATERIAL SELECTION.....	18
LUBRICATION AND MAINTENANCE	19
Pneumatic Care.....	19
PNEUMATIC DIAGRAM	20
PARTS DIAGRAM	21
Part List.....	22



THANK YOU & WARRANTY

Thank you for your purchase of a machine from Baileigh Industrial Holdings LLC. We hope that you find it productive and useful to you for a long time to come.

Inspection & Acceptance. Buyer shall inspect all Goods within ten (10) days after receipt thereof. Buyer's payment shall constitute final acceptance of the Goods and shall act as a waiver of the Buyer's rights to inspect or reject the goods unless otherwise agreed. If Buyer rejects any merchandise, Buyer must first obtain a Returned Goods Authorization ("RGA") number before returning any goods to Seller. Goods returned without an RGA will be refused. Seller will not be responsible for any freight costs, damages to goods, or any other costs or liabilities pertaining to goods returned without a RGA. Seller shall have the right to substitute a conforming tender. Buyer will be responsible for all freight costs to and from Buyer and repackaging costs, if any, if Buyer refuses to accept shipment. If Goods are returned in unsalable condition, Buyer shall be responsible for full value of the Goods. Buyer may not return any special-order Goods. Any Goods returned hereunder shall be subject to a restocking fee equal to 30% of the invoice price.

Specifications. Seller may, at its option, make changes in the designs, specifications or components of the Goods to improve the safety of such Goods, or if in Seller's judgment, such changes will be beneficial to their operation or use. Buyer may not make any changes in the specifications for the Goods unless Seller approves of such changes in writing, in which event Seller may impose additional charges to implement such changes.

Limited Warranty. Seller warrants to the original end-user that the Goods manufactured or provided by Seller under this Agreement shall be free of defects in material or workmanship for a period of twelve (12) months from the date of purchase, provided that the Goods are installed, used, and maintained in accordance with any instruction manual or technical guidelines provided by the Seller or supplied with the Goods, if applicable. The original end-user must give written notice to Seller of any suspected defect in the Goods prior to the expiration of the warranty period. The original end-user must also obtain a RGA from Seller prior to returning any Goods to Seller for warranty service under this paragraph. Seller will not accept any responsibility for Goods returned without a RGA. The original end-user shall be responsible for all costs and expenses associated with returning the Goods to Seller for warranty service. In the event of a defect, Seller, at its sole option, shall repair or replace the defective Goods or refund to the original end-user the purchase price for such defective Goods. Goods are not eligible for replacement or return after a period of 10 days from date of receipt. The foregoing warranty is Seller's sole obligation, and the original end-user's exclusive remedy, with regard to any defective Goods. This limited warranty does not apply to: (a) die sets, tooling, and saw blades; (b) periodic or routine maintenance and setup, (c) repair or replacement of the Goods due to normal wear and tear, (d) defects or damage to the Goods resulting from misuse, abuse, neglect, or accidents, (e) defects or damage to the Goods resulting from improper or unauthorized alterations, modifications, or changes; and (f) any Goods that has not been installed and/or maintained in accordance with the instruction manual or technical guidelines provided by Seller.

EXCLUSION OF OTHER WARRANTIES. THE FOREGOING LIMITED WARRANTY IS IN LIEU OF ALL OTHER WARRANTIES, EXPRESS OR IMPLIED. ANY AND ALL OTHER EXPRESS, STATUTORY OR IMPLIED WARRANTIES, INCLUDING BUT NOT LIMITED TO, ANY WARRANTY OF MERCHANTABILITY OR FITNESS FOR ANY PARTICULAR PURPOSE ARE EXPRESSLY DISCLAIMED. NO WARRANTY IS MADE WHICH EXTENDS BEYOND THAT WHICH IS EXPRESSLY CONTAINED HEREIN.

Limitation of Liability. IN NO EVENT SHALL SELLER BE LIABLE TO BUYER OR ANY OTHER PARTY FOR ANY INCIDENTAL, CONSEQUENTIAL OR SPECIAL DAMAGES (INCLUDING, WITHOUT LIMITATION, LOST PROFITS OR DOWN TIME) ARISING FROM OR IN MANNER CONNECTED WITH THE GOODS, ANY BREACH BY SELLER OR ITS AGENTS OF THIS AGREEMENT, OR ANY OTHER CAUSE WHATSOEVER, WHETHER BASED ON CONTRACT, TORT OR ANY OTHER THEORY OF LIABILITY. BUYER'S REMEDY WITH RESPECT TO ANY CLAIM ARISING UNDER THIS AGREEMENT IS STRICTLY LIMITED TO NO MORE THAN THE AMOUNT PAID BY THE BUYER FOR THE GOODS.



Force Majeure. Seller shall not be responsible for any delay in the delivery of, or failure to deliver, Goods due to causes beyond Seller's reasonable control including, without limitation, acts of God, acts of war or terrorism, enemy actions, hostilities, strikes, labor difficulties, embargoes, non-delivery or late delivery of materials, parts and equipment or transportation delays not caused by the fault of Seller, delays caused by civil authorities, governmental regulations or orders, fire, lightening, natural disasters or any other cause beyond Seller's reasonable control. In the event of any such delay, performance will be postponed by such length of time as may be reasonably necessary to compensate for the delay.

Installation. If Buyer purchases any Goods that require installation, Buyer shall, at its expense, make all arrangements and connections necessary to install and operate the Goods. Buyer shall install the Goods in accordance with any Seller instructions and shall indemnify Seller against any and all damages, demands, suits, causes of action, claims and expenses (including actual attorneys' fees and costs) arising directly or indirectly out of Buyer's failure to properly install the Goods.

Work By Others; Safety Devices. Unless agreed to in writing by Seller, Seller has no responsibility for labor or work performed by Buyer or others, of any nature, relating to design, manufacture, fabrication, use, installation or provision of Goods. Buyer is solely responsible for furnishing and requiring its employees and customers to use all safety devices, guards and safe operating procedures required by law and/or as set forth in manuals and instruction sheets furnished by Seller. Buyer is responsible for consulting all operator manuals, ANSI or comparable safety standards, OSHA regulations and other sources of safety standards and regulations applicable to the use and operation of the Goods.

Remedies. Each of the rights and remedies of Seller under this Agreement is cumulative and in addition to any other or further remedies provided under this Agreement or at law or equity.

Attorney's Fees. In the event legal action is necessary to recover monies due from Buyer or to enforce any provision of this Agreement, Buyer shall be liable to Seller for all costs and expenses associated therewith, including Seller's actual attorney fees and costs.

Governing Law/Venue. This Agreement shall be construed and governed under the laws of the State of Wisconsin, without application of conflict of law principles. Each party agrees that all actions or proceedings arising out of or in connection with this Agreement shall be commenced, tried, and litigated only in the state courts sitting in Manitowoc County, Wisconsin or the U.S. Federal Court for the Eastern District of Wisconsin. Each party waives any right it may have to assert the doctrine of "forum non conveniens" or to object to venue to the extent that any proceeding is brought in accordance with this section. Each party consents to and waives any objection to the exercise of personal jurisdiction over it by courts described in this section. Each party waives to the fullest extent permitted by applicable law the right to a trial by jury.

Summary of Return Policy.

- 10 Day acceptance period from date of delivery. Damage claims and order discrepancies will not be accepted after this time.
- You must obtain a Baileigh issued RGA number PRIOR to returning any materials.
- Returned materials must be received at Baileigh in new condition and in original packaging.
- Altered items are not eligible for return.
- Buyer is responsible for all shipping charges.
- A 30% re-stocking fee applies to all returns.

Baileigh Industrial Holdings LLC makes every effort to ensure that our posted specifications, images, pricing and product availability are as correct and timely as possible. We apologize for any discrepancies that may occur. Baileigh Industrial Holdings LLC reserves the right to make any and all changes deemed necessary in the course of business including but not limited to pricing, product specifications, quantities, and product availability.

For Customer Service & Technical Support:

Please contact one of our knowledgeable Sales and Service team members at:
(920) 684-4990 or e-mail us at sales@baileigh.com



INTRODUCTION

The quality and reliability of the components assembled on a Baileigh Industrial Holdings LLC machine guarantee near perfect functioning, free from problems, even under the most demanding working conditions. However, if a situation arises, refer to the manual first. If a solution cannot be found, contact the distributor where you purchased our product. Make sure you have the serial number and production year of the machine (stamped on the nameplate). For replacement parts refer to the assembly numbers on the parts list drawings.

Our technical staff will do their best to help you get your machine back in working order.

In this manual you will find: (when applicable)

- Safety procedures
- Correct installation guidelines
- Description of the functional parts of the machine
- Capacity charts
- Setup and start-up instructions
- Machine operation
- Scheduled maintenance
- Parts lists

GENERAL NOTES

After receiving your equipment remove the protective container. Do a complete visual inspection, and if damage is noted, **photograph it for insurance claims** and contact your carrier at once, requesting inspection. Also contact Baileigh Industrial Holdings LLC and inform them of the unexpected occurrence. Temporarily suspend installation.

Take necessary precautions while loading / unloading or moving the machine to avoid any injuries.

Your machine is designed and manufactured to work smoothly and efficiently. Following proper maintenance instructions will help ensure this. Try and use original spare parts, whenever possible, and most importantly; **DO NOT** overload the machine or make any modifications.



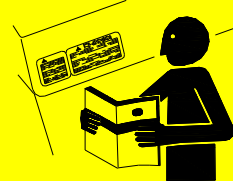
Note: This symbol refers to useful information throughout the manual.



IMPORTANT

PLEASE READ THIS OPERATORS MANUAL CAREFULLY

It contains important safety information, instructions, and necessary operating procedures. The continual observance of these procedures will help increase your production and extend the life of the equipment.



SAFETY INSTRUCTIONS

LEARN TO RECOGNIZE SAFETY INFORMATION

This is the safety alert symbol. When you see this symbol on your machine or in this manual, **BE ALERT TO THE POTENTIAL FOR PERSONAL INJURY!**



Follow recommended precautions and safe operating practices.

UNDERSTAND SIGNAL WORDS

A signal word – **DANGER**, **WARNING**, or **CAUTION** – is used with the safety alert symbol. **NOTICE**, which is not related to personal injury, is used without a symbol.

DANGER: Indicates a hazardous situation which, if not avoided, will result in death or serious injury.

WARNING: Indicates a hazardous situation which, if not avoided, could result in death or serious injury.

CAUTION: Indicates a hazardous situation which, if not avoided, could result in minor or moderate injury.

NOTICE: Indicates a situation which, if not avoided, could result in property damage.

DANGER

WARNING

CAUTION

NOTICE

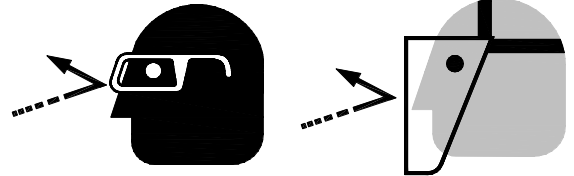


SAVE THESE INSTRUCTIONS.
Refer to them often and use them to instruct others.



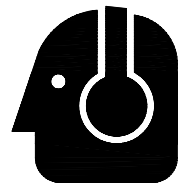
PROTECT EYES

Wear safety glasses or suitable eye protection when working on or around machinery.



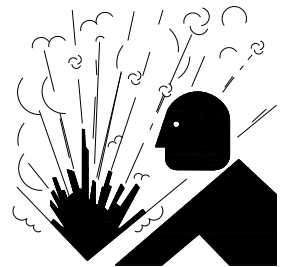
PROTECT AGAINST NOISE

Prolonged exposure to loud noise can cause impairment or loss of hearing. Wear suitable hearing protective devices such as ear muffs or earplugs to protect against objectionable or uncomfortable loud noises.



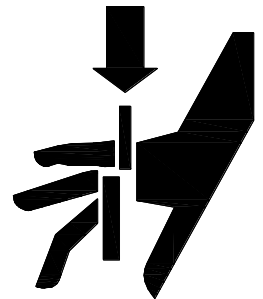
AIR HOSE/LINE FAILURE

Exercise **CAUTION** around air hoses and lines in case of a hose or fitting failure.



BEWARE OF SHEAR HAZARD

Keep hands and fingers clear from under the blade.
NEVER place your hand or any part of your body in this machine.



EMERGENCY STOP BUTTON

In the event of incorrect operation or dangerous conditions, the machine can be stopped immediately by pressing the **E-STOP** button. Twist the emergency stop button clockwise (cw) to reset. Note: Resetting the E-Stop will not start the machine.



CALIFORNIA PROPOSITION 65

WARNING: Cancer and Reproductive Harm.
www.P65Warnings.ca.gov





SAFETY PRECAUTIONS



Metal working can be dangerous if safe and proper operating procedures are not followed. As with all machinery, there are certain hazards involved with the operation of the product. Using the machine with respect and caution will considerably lessen the possibility of personal injury. However, if normal safety precautions are overlooked or ignored, personal injury to the operator may result.

Safety equipment such as guards, hold-downs, safety glasses, dust masks and hearing protection can reduce your potential for injury. But even the best guard won't make up for poor judgment, carelessness or inattention. **Always use common sense** and exercise **caution** in the workshop. If a procedure feels dangerous, don't try it.

REMEMBER: Your personal safety is your responsibility.



WARNING: FAILURE TO FOLLOW THESE RULES MAY RESULT IN SERIOUS PERSONAL INJURY

Dear Valued Customer:

- All Baileigh machines should be used only for their intended use.
- Baileigh does not recommend or endorse making any modifications or alterations to a Baileigh machine. Modifications or alterations to a machine may pose a substantial risk of injury to the operator or others and may do substantial damage to the machine.
- Any modifications or alterations to a Baileigh machine will invalidate the machine's warranty.

PLEASE ENJOY YOUR BAILEIGH MACHINE!PLEASE ENJOY IT SAFELY!

1. **FOR YOUR OWN SAFETY, READ INSTRUCTION MANUAL BEFORE OPERATING THE MACHINE.** Learn the machine's application and limitations as well as the specific hazards.
2. **Only trained and qualified personnel can operate this machine.**
3. **Make sure guards are in place and in proper working order before operating machinery.**
4. **Remove any adjusting tools.** Before operating the machine, make sure any adjusting tools have been removed.
5. **Keep work area clean.** Cluttered areas invite injuries.
6. **Overloading machine.** By overloading the machine you may cause injury from flying parts. **DO NOT** exceed the specified machine capacities.
7. **Dressing material edges.** Always chamfer and deburr all sharp edges.



8. **Do not force tool.** Your machine will do a better and safer job if used as intended. **DO NOT** use inappropriate attachments in an attempt to exceed the machines rated capacity.
9. **Use the right tool for the job. DO NOT** attempt to force a small tool or attachment to do the work of a large industrial tool. **DO NOT** use a tool for a purpose for which it was not intended.
10. **Dress appropriate. DO NOT** wear loose fitting clothing or jewelry as they can be caught in moving machine parts. Protective clothing and steel toe shoes are recommended when using machinery. Wear a restrictive hair covering to contain long hair.
11. **Use eye protection.** Always wear ISO approved protective eye wear when operating machinery. Wear a full-face shield if you are producing metal filings. Eye wear shall be impact resistant, protective safety glasses with side shields which comply with ANSI Z87.1 specification. Use of eye wear which does not comply with ANSI Z87.1 specification could result in severe injury from breakage of eye protection.
12. **Do not overreach.** Maintain proper footing and balance at all times. **DO NOT** reach over or across a running machine.
13. **Stay alert.** Watch what you are doing and use common sense. **DO NOT** operate any tool or machine when you are tired.
14. **Check for damaged parts.** Before using any tool or machine, carefully check any part that appears damaged. Check for alignment and binding of moving parts that may affect proper machine operation.
15. **Observe work area conditions. DO NOT** use machines or power tools in damp or wet locations. Do not expose to rain. Keep work area well lighted.
16. **Blade adjustments and maintenance.** Always keep blades sharp and properly adjusted for optimum performance.
17. **Keep children away.** Children must never be allowed in the work area. **DO NOT** let them handle machines, tools, or extension cords.
18. **Store idle equipment.** When not in use, tools must be stored in a dry location to inhibit rust. Always lock up tools and keep them out of reach of children.
19. **DO NOT operate machine if under the influence of alcohol or drugs.** Read warning labels on prescriptions. If there is any doubt, **DO NOT** operate the machine.
20. **Turn off** air supply before checking, cleaning, or replacing any parts.
21. Inspect air lines periodically. Replace if damaged or worn.
22. **DO NOT** bypass or defeat any safety interlock systems.
23. Keep visitors a safe distance from the work area.



TECHNICAL SPECIFICATIONS

Maximum Material Thickness	11ga. (0.118" [3mm]) mild steel* 15ga. (0.067" [1.7mm]) stainless steel**
Max Notch Dimensions	5" x 5" (127 x 127mm)
Notch Angle	90° (Fixed)
Blade Gap Adjustment	Manual
Table Size	18" x 23.5" (457 x 597mm)
Maximum Flow Rate	4.4 CFM (124L)
Working Pressure	115psi (.79mPa)
Strokes Per Minute	50
Shipping Weight	500 lbs. (227kg)
Shipping Dimensions	60" x 44" x 68" (1524 x 1118 x 1727mm)
Based on a material tensile strength of	*64000 PSI – mild steel **100000 PSI – stainless steel

TECHNICAL SUPPORT

Our technical support department can be reached at 920.684.4990 and asking for the support desk for purchased machines. Tech Support handles questions on machine setup, schematics, warranty issues, and individual parts needs: (other than die sets and blades).

For specific application needs or future machine purchases contact the Sales Department at: sales@baileigh.com, Phone: 920.684.4990, or Fax: 920.684.3944.



Note: *The photos and illustrations used in this manual are representative only and may not depict the actual color, labeling or accessories and may be intended to illustrate technique only.*



Note: *The specifications and dimensions presented here are subject to change without prior notice due to improvements of our products.*



UNPACKING AND CHECKING CONTENTS

Your Baileigh machine is shipped complete. Separate all parts from the packing material and check each item carefully. Make certain all items are accounted for before discarding any packing material.

⚠ WARNING: SUFFOCATION HAZARD! Immediately discard any plastic bags and packing materials to eliminate choking and suffocation hazards to children and animals.
If any parts are missing, **DO NOT** place the machine into service until the missing parts are obtained and installed correctly.

Cleaning

⚠ WARNING: DO NOT USE gasoline or other petroleum products to clean the machine. They have low flash points and can explode or cause fire.

⚠ CAUTION: When using cleaning solvents work in a well-ventilated area. Many cleaning solvents are toxic if inhaled.

Your machine may be shipped with a rustproof waxy coating and/or grease on the exposed unpainted metal surfaces. Fully and completely remove this protective coating using a degreaser or solvent cleaner. Moving items will need to be moved along their travel path to allow for cleaning the entire surface. For a more thorough cleaning, some parts will occasionally have to be removed. **DO NOT USE** acetone or brake cleaner as they may damage painted surfaces.

Follow manufacturer's label instructions when using any type of cleaning product. After cleaning, wipe unpainted metal surfaces with a light coating of quality oil or grease for protection.



Important: This waxy coating is **NOT** a lubricant and will cause the machine to stick and lose performance as the coating continues to dry.



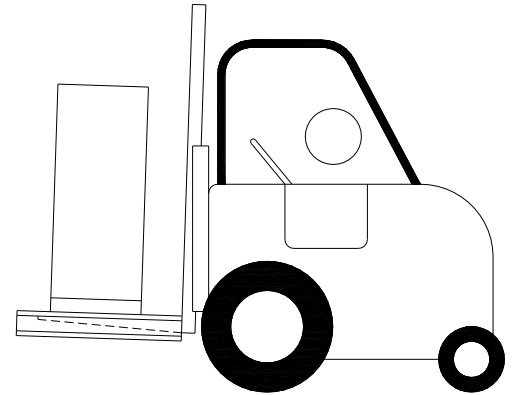


TRANSPORTING AND LIFTING

NOTICE: *Lifting and carrying operations should be carried out by skilled workers, such as a truck operator, crane operator, etc. If a crane is used to lift the machine, attach the lifting chain carefully, making sure the machine is well balanced.*

Follow these guidelines when lifting with truck or trolley:

- The lift truck must be able to lift at least 1.5 – 2 times the machines gross weight.
- Make sure the machine is balanced. While transporting, avoid rough or jerky motion, and maintain a safe clearance zone around the transport area.
- Use a forklift with sufficient lifting capacity and forks that are long enough to reach the complete width of the machine.
- Remove the securing bolts that attach the machine to the pallet.
- Approaching the machine from the side, lift the machine on the frame taking care that there are no cables or pipes in the area of the forks.
- Move the machine to the required position and lower gently to the floor.
- Level the machine so that all the supporting feet are taking the weight of the machine and no rocking is taking place.



Follow these guidelines when lifting crane or hoist:

- Always lift and carry the machine with the lifting holes provided at the top of the machine.
- Use lift equipment such as straps, chains, capable of lifting 1.5 to 2 times the weight of the machine.
- Take proper precautions for handling and lifting.
- Check if the load is properly balanced by lifting it an inch or two.
- Lift the machine, avoiding sudden accelerations or quick changes of direction.
- Locate the machine where it is to be installed, then lower slowly until it touches the floor.



INSTALLATION

IMPORTANT:

Consider the following when looking for a suitable location to place the machine:

- Overall weight of the machine.
- Weight of material being processed.
- Sizes of material to be processed through the machine.
- Space needed for auxiliary stands, worktables, or other machinery.
- Clearance from walls and other obstacles.
- Maintain an adequate working area around the machine for safety.
- Have the work area well illuminated with proper lighting.
- Keep the floor free of oil and make sure it is not slippery.
- Remove scrap and waste materials regularly, and make sure the work area is free from obstructing objects.
- If long lengths of material are to be fed into the machine, make sure that they will not extend into any aisles.
- **LEVELING:** The machine should be sited on a level, concrete floor. Provisions for securing it should be in position prior to placing the machine. The accuracy of any machine depends on the precise placement of it to the mounting surface.
- **FLOOR:** This machine distributes a large amount of weight over a small area. Make certain that the floor is capable of supporting the weight of the machine, work stock, and the operator. The floor should also be a level surface. If the unit wobbles or rocks once in place, be sure to eliminate by using shims.
- **WORKING CLEARANCES:** Take into consideration the size of the material to be processed. Make sure that you allow enough space for you to operate the machine freely.
- **AIR SUPPLY PLACEMENT:** The air supply should be located close enough to the machine so that the air-line is not in an area where it would cause a tripping hazard.



Connecting Air Supply

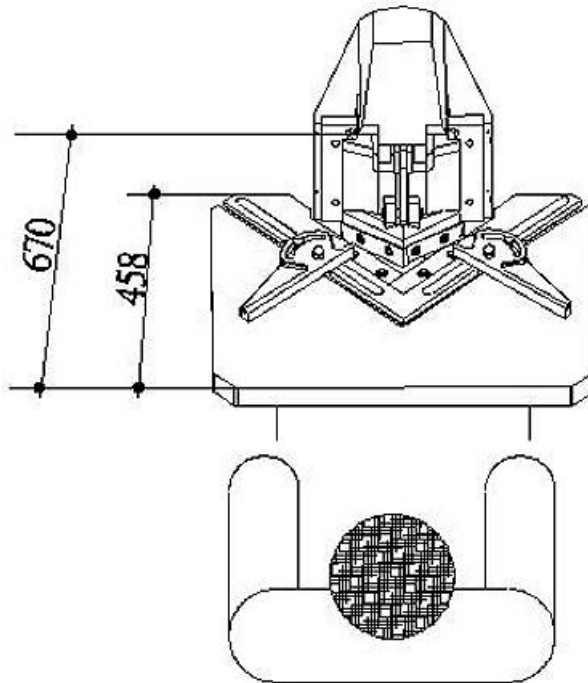
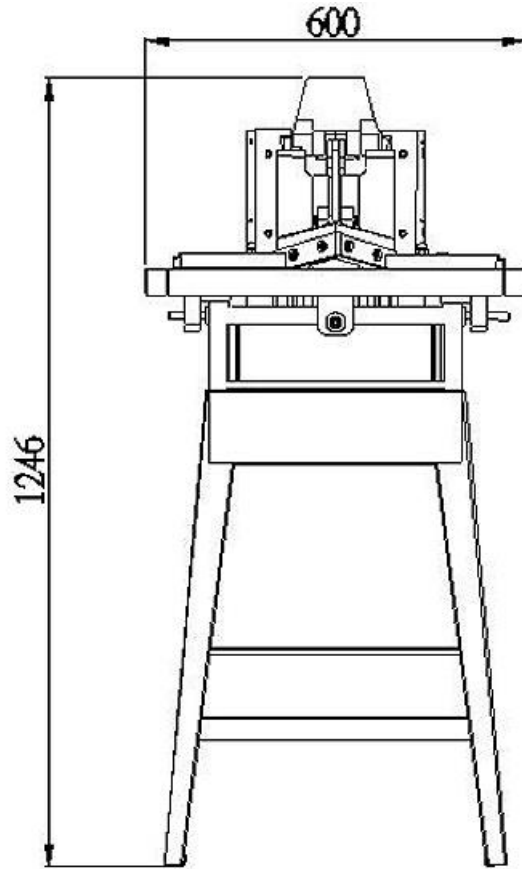
⚠ WARNING: Never connect to an air source capable of exceeding 120 PSI. Over pressurizing the tool may cause bursting, breakage, or serious personal injury.

- To perform reliably, pneumatic tools require a continuous source of clean, water-free air at adequate pressure.
 - Never operate this tool using a bottled air source. Bottled air sources do not provide consistent operating pressure and could result in air pressures that exceed the maximum allowed for the tool.
1. Connect an air hose with at least a 3/8" I.D. with a quick-connect coupler to the inlet of the air control unit. The air hose should not be longer than 10 feet (3.1m). If the air hose is longer than 10 feet (3.1m), it is recommended to run piping to within 10 feet (3.1m) of the machine.
 2. Place a cut-off valve ahead of the filter for use when cleaning the filter or replenishing the lubricator.
 3. Check the oil level in the air lubricator. If the oil level is low, refill with SAE 10-weight non-detergent, non-additive oil.



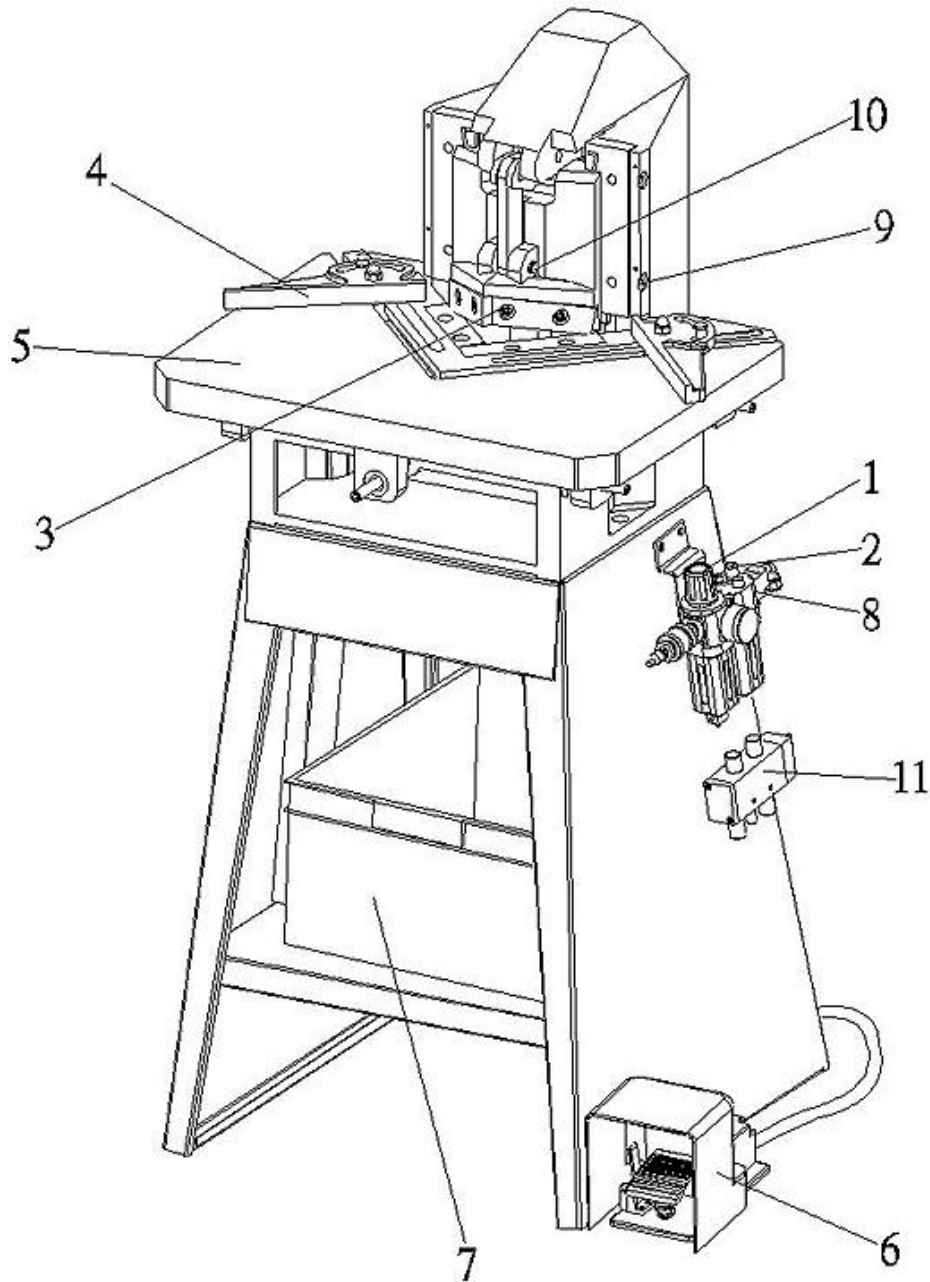


OVERALL DIMENSIONS





GETTING TO KNOW YOUR MACHINE



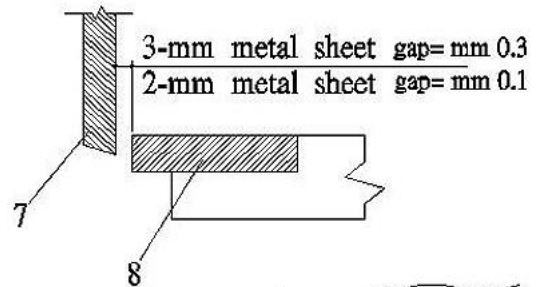
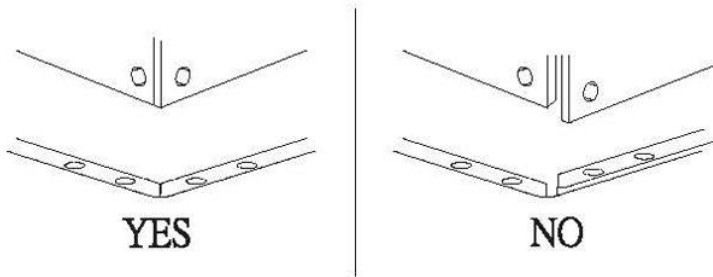
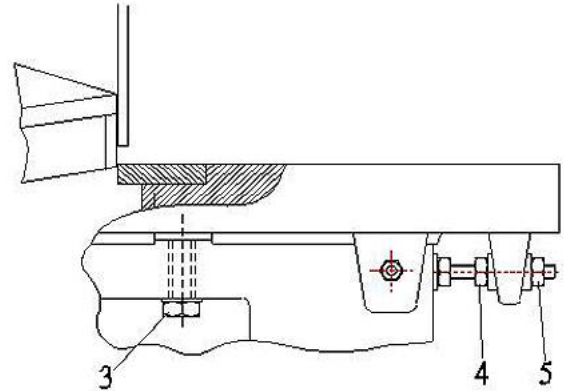
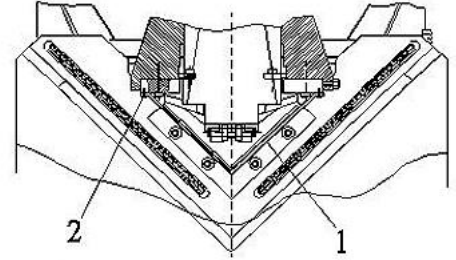
1	Pressure Regulator	7	Scrap Collecting Box (Not Included)
2	Pressure Gauge	8	Air Control Unit
3	Cutting Blade	9	Safety Cover
4	Adjustable fence	10	Head Set
5	Table	11	Multipurpose Valve
6	Foot Control Pedal		



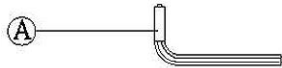
MACHINE ADJUSTMENTS

Adjustment of Blade Gap Tolerance

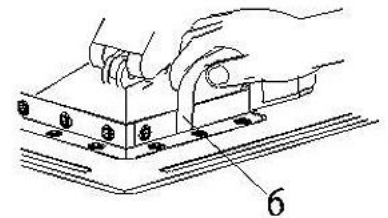
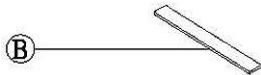
1. Disconnect the air supply.
2. Unscrew the screws (2) then remove the safety cover (1). Loosen the bias screws (4) and blade screws (5) to measure the tolerance with 0.25 mm thickness gauge. (6)
3. Adjust the upper and lower blades against the thickness gauge.
4. Make sure the thickness gauge can be removed smoothly.
5. Tighten all the screws.



A - Allen wrench for blade screw



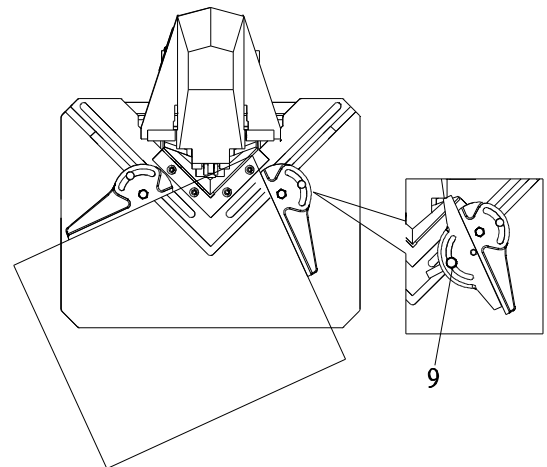
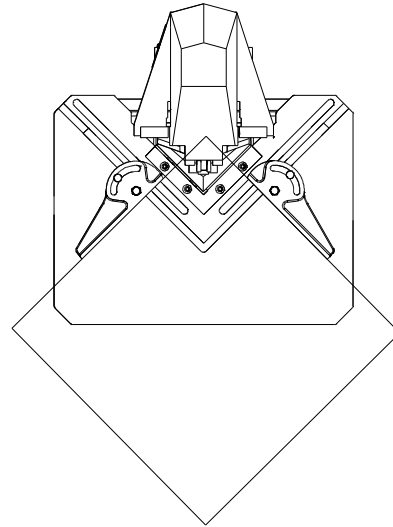
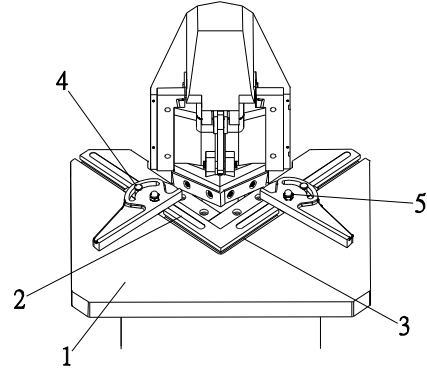
B - 0.25mm thickness gauge





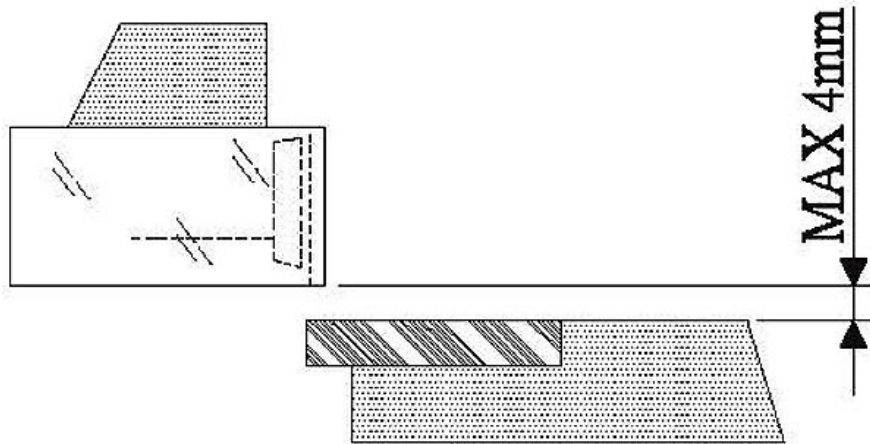
Adjustment of Mobile Reference Square

1. Loosen the handle (5) to the length for the work piece.
2. Take out the pin (6) and adjust to the degrees that you need.
3. Adjust the left and right block (8) to match work piece.





Maximum Cutting Thickness: 4mm



OPERATION

⚠ CAUTION: Always wear proper eye protection with side shields, safety footwear, and leather gloves to protect from burrs and sharp edges. When handling large heavy materials make sure they are properly supported.

4. Mark the material for the location of the notch or use the side gauges to set up a repeatable notch position adjusting the two slide blocks on the table as needed.
5. Place the work material on the work table between the upper and lower blade allowing the work table support it.
6. While holding the material in position step down on the foot pedal to shear the notch.
7. Release the foot pedal to allow the upper blade to rise to the full up position and remove the material.

Adjustable gauges are mounted on a work table, which provides a material support area for easy work handling and positioning. Operators can accurately locate a notch either at a corner or at any position along the edge of material.



MATERIAL SELECTION

⚠ CAUTION: It must be determined by the customer that materials being processed through the machine are **NOT** potentially hazardous to operator or personnel working nearby.

When selecting materials keep these instructions in mind:

- Material must be clean and dry. (without oil)
- Material should have a smooth surface so it processes easily.
- Dimensional properties of material must be consistent and not exceed the machine capacity values.
- Chemical structure of material must be consistent.
- Buy certificated steel from the same vendor when possible.



LUBRICATION AND MAINTENANCE

⚠ WARNING: Make sure the electrical disconnect is OFF before working on the machine.

Maintenance should be performed on a regular basis by qualified personnel. Always follow proper safety precautions when working on or around any machinery.

- Check daily for any unsafe conditions and fix immediately.
- Check that all nuts and bolts are properly tightened.
- On a weekly basis clean the machine and the area around it.
- Lubricate threaded components and sliding devices.
- Apply rust inhibitive lubricant to all non-painted surfaces.



Note: Proper maintenance can increase the life expectancy of your machine.

Air Control Unit

The arrow on the lubricator's top surface must point in the direction of air flow. For proper operation, oil must drop through the lubricator sight glass at a rate of 1 to 4 drops per minute. This rate is checked while the air tool is running free. Only 20% of this oil is actually delivered to the tool. The remaining oil drops back into the oil reservoir. The unit is factory set and should require no adjustment. If an adjustment is required, the adjusting screw on top of the lubricator may be turned as marked to reduce or increase the flow of oil.

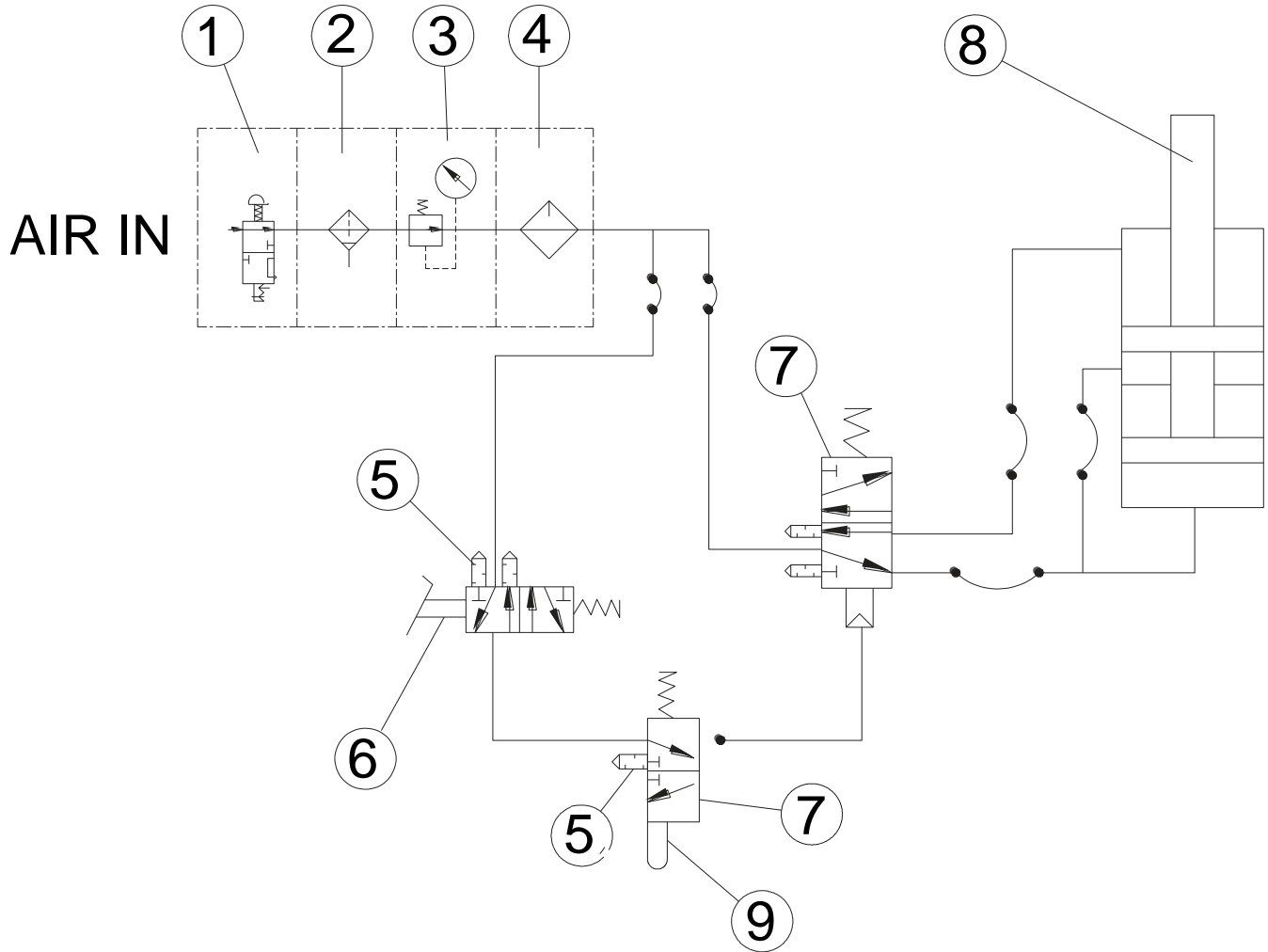


Pneumatic Care

Start with clean and dry. Follow your compressor manufacturer's instructions for proper maintenance, filtering, and moisture control and removal.

Use a 10W pneumatic air tool oil in an oiler set at the lowest setting to provide enough oil to the system to maintain good lubrication. Once started, do not allow the air system to run dry.

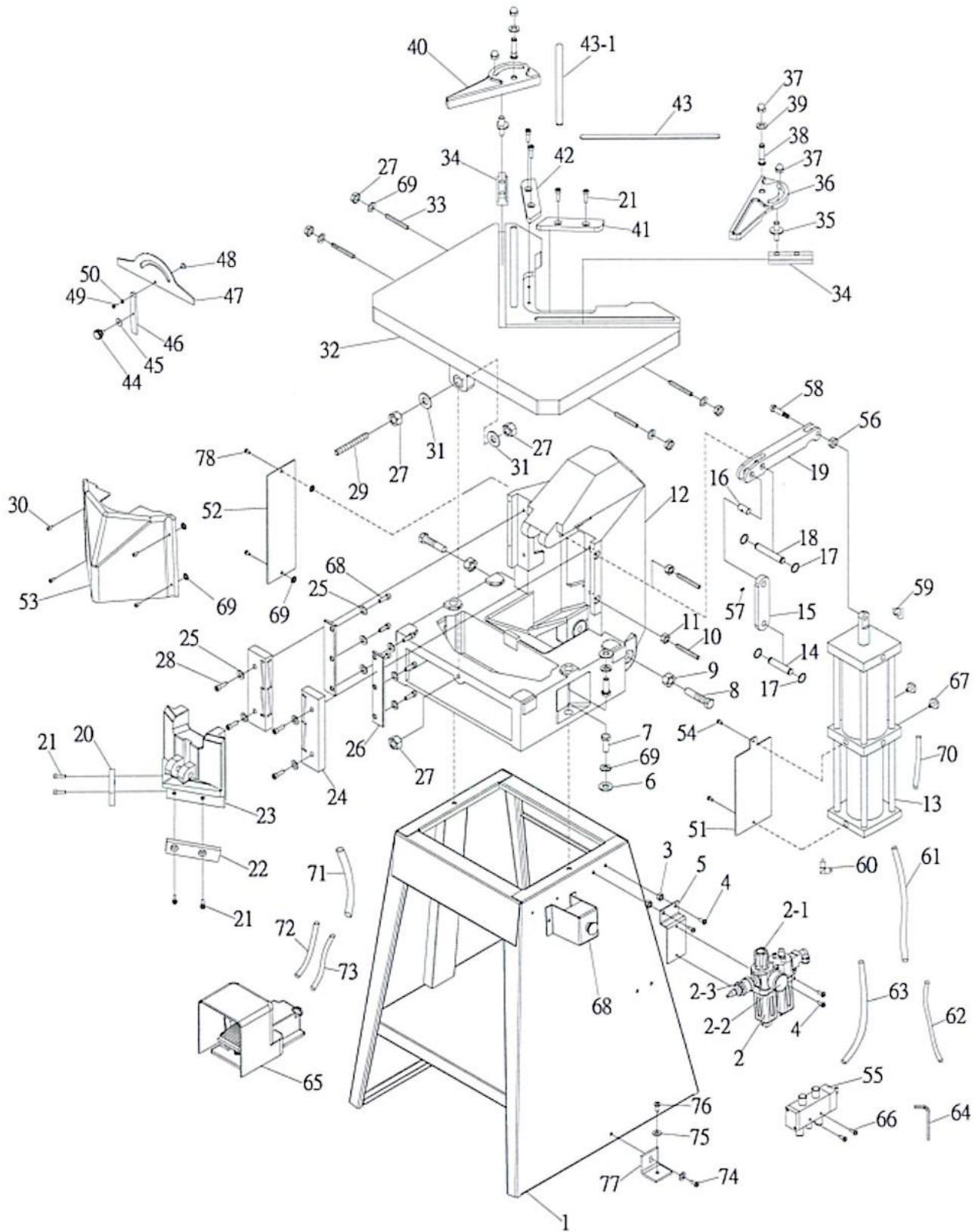
PNEUMATIC DIAGRAM



Ref.	Description
1	Air drain valve switch
2	Condensate drain filter
3	Pressure reducer valve
4	Lubricator
5	Noise reducer
6	Foot control pedal with lock
7	Multipurpose valve
8	Air cylinder
9	Emergency stop



PARTS DIAGRAM





Part List

Item	Part No.	Description	Qty.
1	SNF11AN-1	Stand	1
2	SNF11AN-2	Air Control Unit	1
2-1	SNF11AN-2-1	Pressure Regulator	1
2-2	SNF11AN-2-2	Pressure Gauge	1
2-3	SNF11AN-2-3	Safety Switch	1
	SNF11AN-2-4	Air Control Unit (FRL)	
	SNF11AN-2-4-B	516-Z317 Air Regulator	
3	SNF11AN-3	Nut M6	2
4	SNF11AN-4	Phillip Head Screw M6 x 12	4
5	SNF11AN-5	Fixing Plate	1
6	SNF11AN-6	Washer 1/2" x Ø24 x 2.5	4
7	SNF11AN-7	Hex Head Bolt M12 x 40	4
8	SNF11AN-8	Hex Head Bolt	2
9	SNF11AN-9	Nut M16 x 1.5	2
10	SNF11AN-10	Set Screw M8 x 20	2
11	SNF11AN-11	Nut M8	2
12	SNF11AN-12	Head Set	1
13	SNF11AN-13	Air Cylinder	1
	SNF11AN-13-A	Cylinder Rod Set (2 piece)	
	SNF11AN-13-B	Bottom End Cap of Cylinder	
	SNF11AN-13-C	O-Rings for Cylinder	
14	SNF11AN-14	Pin (Short) 14 x 67mm	1
15	SNF11AN-15	Connection Plate	1
16	SNF11AN-16	Pin	1
17	SNF11AN-17	C-Ring S-14	4
18	SNF11AN-18	Spindle	1
19	SNF11AN-19	Connection Kit	1
20	SNF11AN-20	Cutter-D	1
	SNF11AN-20-SS	Cutter-D for Stainless Steel (optional)	
21	SNF11AN-21	Thin Cap Screw M8 x 20	8
22	SNF11AN-22	Cutter-E	1
23	SNF11AN-23	Cutting Head Set	1
24	SNF11AN-24	Block	2



Item	Part No.	Description	Qty.
25	SNF11AN-25	Washer 5/16" x 19 x 3	10
26	SNF11AN-26	Cutter-C	2
27	SNF11AN-27	Nut M12	7
28	SNF11AN-28	Cap screw M8 x 35	10
29	SNF11AN-29	Thread M12 x 120	1
30	SNF11AN-30	Phillip Head Screw M4 x 20	4
31	SNF11AN-31	Washer 1/2" x 25 x 2	1
32	SNF11AN-32	Table	1
33	SNF11AN-33	Set Screw M12 x 60	4
34	SNF11AN-34	T-Type Key	2
35	SNF11AN-35	Connection Pin	2
36	SNF11AN-36	Right Square	1
37	SNF11AN-37	Nut M10 x 1.5	4
38	SNF11AN-38	Fixing pin	2
39	SNF11AN-39	Washer 3/8" x Ø22 x 2	4
40	SNF11AN-40	Left Square	1
41	SNF11AN-41	Lower Right Cutter	1
	SNF11AN-41-SS	Lower Right Cutter for Stainless Steel (optional)	1
42	SNF11AN-42	Lower Left Cutter	1
	SNF11AN-42-SS	Lower Left Cutter for Stainless Steel (optional)	1
43	SNF11AN-43	Left Indicator	1
43-1	SNF11AN-43-1	Right Indicator	1
44	SNF11AN-44	Knob M6 x 10	1
45	SNF11AN-45	Washer 1/4" x 18 x 1.5	1
46	SNF11AN-46	Rod	1
47	SNF11AN-47	Angle Indicator	1
48	SNF11AN-48	Knob	1
49	SNF11AN-49	Phillip Head Screw M4 x 8	1
50	SNF11AN-50	Washer 5/32" x 10 x 1	1
51	SNF11AN-51	Cover Plate	1
52	SNF11AN-52	Air Cylinder Cover	1
53	SNF11AN-53	Safety Cover	1
54	SNF11AN-54	Bottom Head Screw M4 x 10	2
55	SNF11AN-55	Multipurpose Valve	1
56	SNF11AN-56	Lock Nut M8	1



Item	Part No.	Description	Qty.
57	SNF11AN-57	Set Screw M6 x 8	1
58	SNF11AN-58	Hex Head Bolt	1
59	SNF11AN-59	Hose Connector	1
60	SNF11AN-60	Hose Double Head Connector	1
61	SNF11AN-61	Hose A (820mm)	1
62	SNF11AN-62	Hose B (620mm)	1
63	SNF11AN-63	Hose C (620mm)	1
64	SNF11AN-64	Allen Wrench 5mm	1
65	SNF11AN-65	Foot Control Pedal	1
66	SNF11AN-66	Phillip Head Screw M5 x 40	2
67	SNF11AN-67	Noise Reducer	2
68	SNF11AN-68	Emergency Stop	1
69	SNF11AN-69	Lock Washer M12	6
70	SNF11AN-70	Hose D (230mm)	1
71	SNF11AN-71	Hose (3/8" x 1350mm)	1
72	SNF11AN-72	PU Hose A (1700mm)	1
73	SNF11AN-73	PU Hose B (1550mm)	1
74	SNF11AN-74	Cap Screw M8 x 12	2
75	SNF11AN-75	Flat Washer 5/16" x 23 x 2M	4
76	SNF11AN-76	Screw 5/16" x 1	2
77	SNF11AN-77	Fixing Plate	2
78	SNF11AN-78	Button Head Screw M5 x 10	2



NOTES



BAILEIGH INDUSTRIAL HOLDINGS LLC
1625 DUFEK DRIVE MANITOWOC, WI 54220
PHONE: 920. 684. 4990 FAX: 920. 684. 3944
www.baileigh.com